




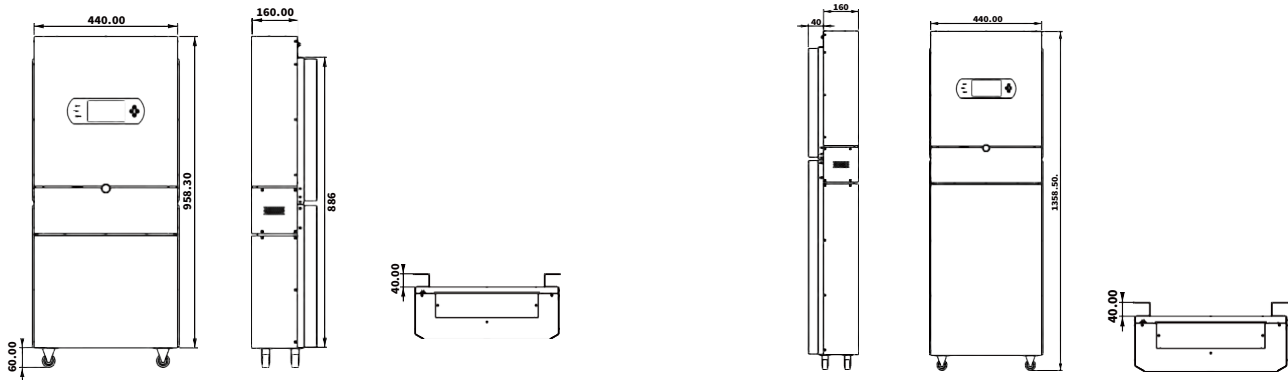




ALL-IN-ONE RESIDENTIAL ENERGY SOLUTION

LiFePo Lithium Battery

-  **Flexibly and Easy Installation**
wall-mounted or floor-mounted
-  **Seamless transition between**
Off grid or grid connected mode
-  **Plug and use**
Plug&Play Design
-  **Easy Management**
Real time online monitoring system
battery status, intelligent warning
-  **Safety & Reliability**
Nano-coating and self-healing technology
construct the LFP channel to add a firewall
to the battery



ALL-IN-ONE RESIDENTIAL ENERGY SOLUTION Shinson off-grid all-in-one 5k(5h+10h)

Model	SOF-5K-5H		SOF-5K-10H	
Rated Output Power	5000 W			
Rated Output Apparent Power	5000 VA			
Capacity Range	5.1 kWh (96% DoD)		10kWh (96% DoD)	
Battery Chemistry	LFP (LiFePO ₄)			
IP Protection	IP21			
Warranty	3 Years			
Inverter Technical Specifications				
Rated Output Apparent Power (Backup Port)	5200 VA	Max. AC Input Power (Grid Port)	8600 W	
Max. PV Input Power	9800 W	Rated Output Current (Grid Port)	22.6 A	
Max. PV Input Current	45A	Max. AC Output Current (Grid Port)	22.6 A	
Max. PV Input Voltage	450 V	Rated Output Current (Backup Port)	22.6 A	
Start-Up Input Voltage	90 V	Max. AC Output Current (Backup Port)	22.6 A	
Rated PV Input Voltage	360 V	Max. Inverter Efficiency	>93%	
MPPT Voltage Range	150~430 VDC	Conversion time	10ms(UPS,VDE4105) 20ms(APL)	
Max. PV Charging Current	80 A	Max.Grid Charging Current	60 A	
Rated Voltage	230 V	Max. Discharging Power	5200 W	
Rated Frequency	50 / 60 Hz	Grid certification	IEC61727/62116,EN50549-1	
Rated Output Apparent Power (Grid Port)	5200 VA	EMC	IEC/EN 61000-6-1/2/3/4, IEC/EN 62109-1, IEC/EN 62109-2	
Communication	WIFI	Relative Humidity	0 ~ 90% (No Condensation)	
Battery Technical Specifications				
Battery Capacity	5.1 kWh		10 kWh	
Battery Nominal Voltage	51.2 V			
Operating Temperature Range	0 °C ~ 60 °C			
Max. Modules in Parallel	16			
Max. Charging Current	100A		120A	
Max. Discharging Current	120A		120A	
Dimensions (W x D x H)	440 x 160x 1020mm		440 x 160x 1360mm	
Weight	68kg		111kg	

*1 Test conditions: Based on the factory date, charge and discharge rate at 0.2C at 100% discharge depth (DoD) and 25°C

*2 The weight of the battery module is based on the actual product, with a tolerance of ±3% allowed

*3 The installation of battery packs is related to product quality assurance, safe and stable operation. Please follow the requirements of the user manual for standardized installation, use, and routine maintenance